



## Li-SOCL<sub>2</sub> Battery

### ----ER34070 Brief Datasheet----

#### 1. BASIC SPECIFICATION

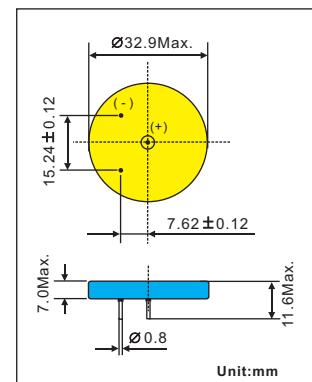
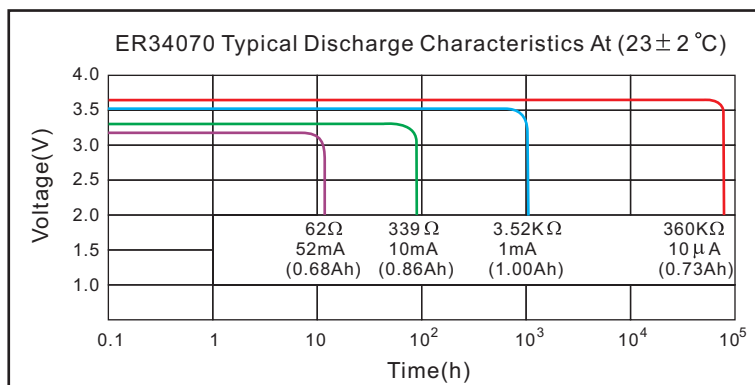
➤ Model:	ER34070
➤ Nominal Voltage:	3.6Volts
➤ Nominal Capacity:	(@ 1.0mA Discharge Current to 2.0V cut-off, +23°C) 1000mAh
➤ Standard Discharge Current:	1.0mA
➤ Maximum recommended current under continuous discharge:	100mA
➤ Maximum recommended current under pulse discharge:	200mA
➤ Operational temperature range:	-55°C~+85°C
➤ Nominal Weight:	17.0g

**NOTE! ER34070 is of bobbin structure and best suited for low current discharges. It may require depassivation before medium currents can be delivered.**

#### 2. MAIN FEATURES

- Excellent shelf life (10years) and low self-discharge (1% or less per year).
- Suited for long-term use with low current.
- For operation at low current levels with long stands intermittent discharge with medium current level provided. The average is not below the active current level.
- Bobbin-type or flat cells and temperature range from -55°C to +85°C at cells up to +75°C.

#### 3. ELECTRICAL CHARACTERISTICS



#### 4. WARNING!

- DO NOT recharge, short-circuit, disassemble, deform, heat or place the battery near a direct flame. Any of the above actions could cause it to ignite explode or become damaged.
- Keep this battery out of the reach of children.
- When storing the battery or throwing it away, be sure to cover it with tape.

Note: Any representations in this brochure concerning performance, are for informational purposes only and are not construed as warranties either expressed or implied, of future performance.